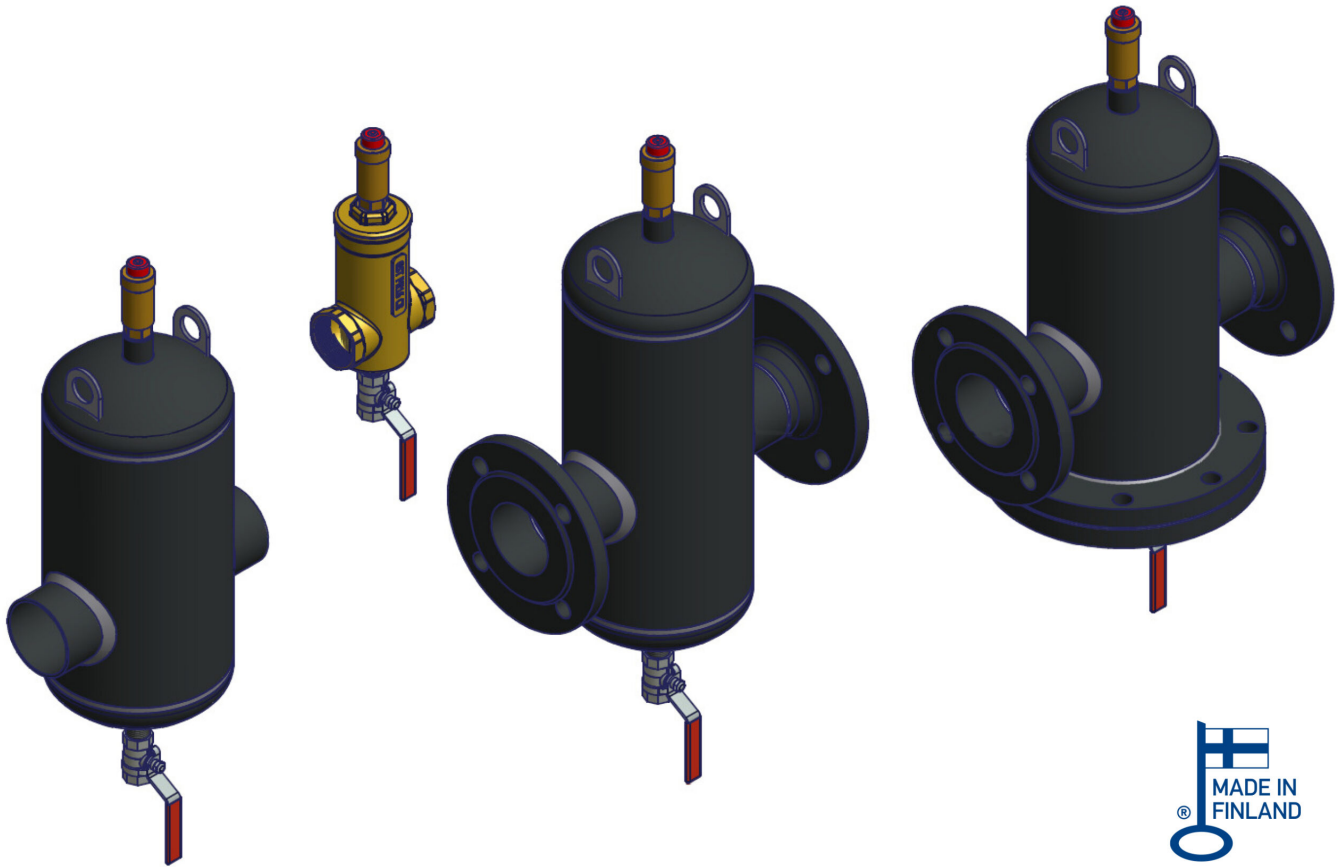


AirVec



Deaerators for heating and cooling systems

Airvec deaerator is a technically advanced, easy-to-use product with simplistic design and unmatched installability.

AirVec Extra's operating principle

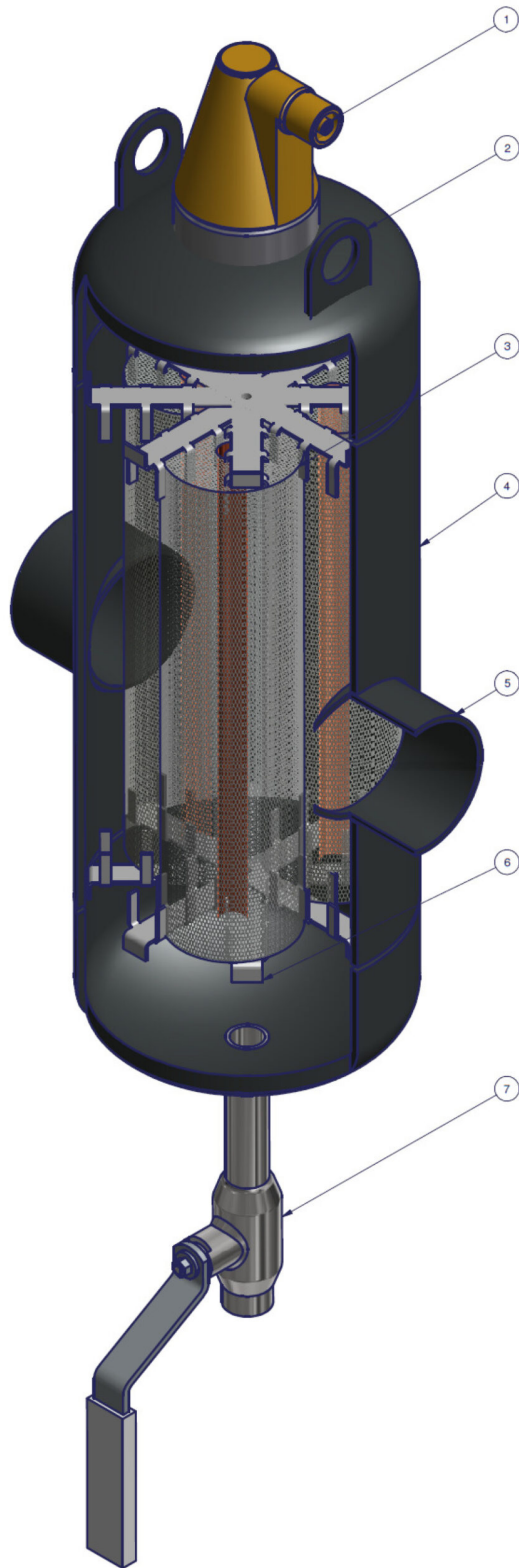
AirVec Extra removes free and dissolved air and dirt particles.

Inside AirVec the water velocity decreases strongly when micro bubbles and dirt particles are efficiently separated. Air bubbles rise automatically to the top vent valve and dirt particles sink to the bottom of the unit.

Air and dirt separators remove all micro-bubbles from 15 microns to and solid particles from 5 microns and onwards.

Construction

1. AirVec includes an automatic vent valve (Flexvent Max), which is provided with a set screw whereby the vent valve can be closed. The outlet of the Flexvent MAX has a 22 millimetre connection for a drainage pipe.
2. The lifting lugs allow for easy installation.
3. AirVec's unique FoxisTube is designed to remove even the smallest micro bubbles and small particles of dirt without the flow resistance increasing too much.
4. Body:
 - P235GH (EN 10217-2),
 - Exterior coating: RAL 7043, coating thick. of > 40 µm
5. Storage range is up to DN250 (273 mm)
Weld end and the flanges
 - Weld ends: P235GH (EN 10217-2),
 - Flanges: EN 1092-1 (PN16 / PN25)
6. Thanks to large precipitate housing the drain interval is long.
7. AirVec is provided with flush valve, (Naval ball valve (DN15 / ½ “- DN25 / 1”)) which the dirt is collected on the bottom may be removed when the system is in use.



Model indications

Airvec 50-NSW-16

Airvec = Product family name

50 = Pipe size (dn)

N = N = normal, E = extra, O = open

S = Material, S = steel, H = stainless, B = brass Model

W = Connection, W = welded, F = flanged, G = threaded

16 = Pressure class, 10 = 10 bar, 16 = 16 bar, 25 = 25 bar

Warranty

Your Airvec deaerators and components always have a competitive warranty.

Exact terms of warranty are market based, fulfilling however all area requirements and standards.

All terms are stated in HögforsGST warranty conditions.

HögforsGST International heating system expertise

HögforsGST specializes in the manufacture, sale and marketing of high-quality heating systems. The company has solid experience in heating systems both domestically and in export markets.

Our professionalism is based on experience in production, serial manufacture, mass tailoring and project production as well as HVAC procurement channel and logistics expertise in Finland and abroad.

Our operations are based on determining requirements for sustainable business operations on the market, customer-orientedness and reliability. We are equally uncompromising in terms of our high-quality products and services.

HögforsGST International heating expertise HögforsGST Oy specialises in the manufacture, sales and marketing of high-quality heating systems. The company's strong expertise on heating systems reaches beyond Finland. Our competence is based on our in-depth experience in production, line manufacturing, high-volume customisation and project production as well as familiarity with the HVAC acquisition channels and logistics both in Finland and abroad. Our business has always been based on determining sufficient operating requirements on the market, customer-orientation and reliability. Equally important is our uncompromising approach with the high quality of our products and services. We reserve the right to make changes.